

## Sink Big Bowl

Bowl on the left

Kitchen Sinks

Code: 1561 202



### DETAILS

Edge/Installation Type Standard (8 mm Edge)

---

Finish Foster brushed

---

Material AISI 304 stainless steel

---

Texture Foster brushed

---

Base 60 cm

---

Dimensions 860x500 mm

---

Standard fittings Fixing hooks, gasket, drain, overflow and siphon, boxed packing

---

Mixer holes 1 standard hole - 2nd hole on request

---

Built-in hole 840 x 480 mm

---

Drainer Yes

---

Width 86 cm

---

Bowl dimension 450x400mm

---

Number of bowls 1 bowl

---

Waste fitting 3,5" drain

---

## FEATURES

**2nd / 3rd hole available** The sink can be customized with the execution on request of additional holes, usable for double-hole mixers, for remote controlled drains or for the installation of soap dispensers. The positions are marked on the drawings with dotted line holes.

---

**Added value** Foster uses steel thicknesses higher than those used on average by other manufacturers. This is how, thanks to our long experience, we know how to make sinks of superior quality and with a better resistance to aging.

---

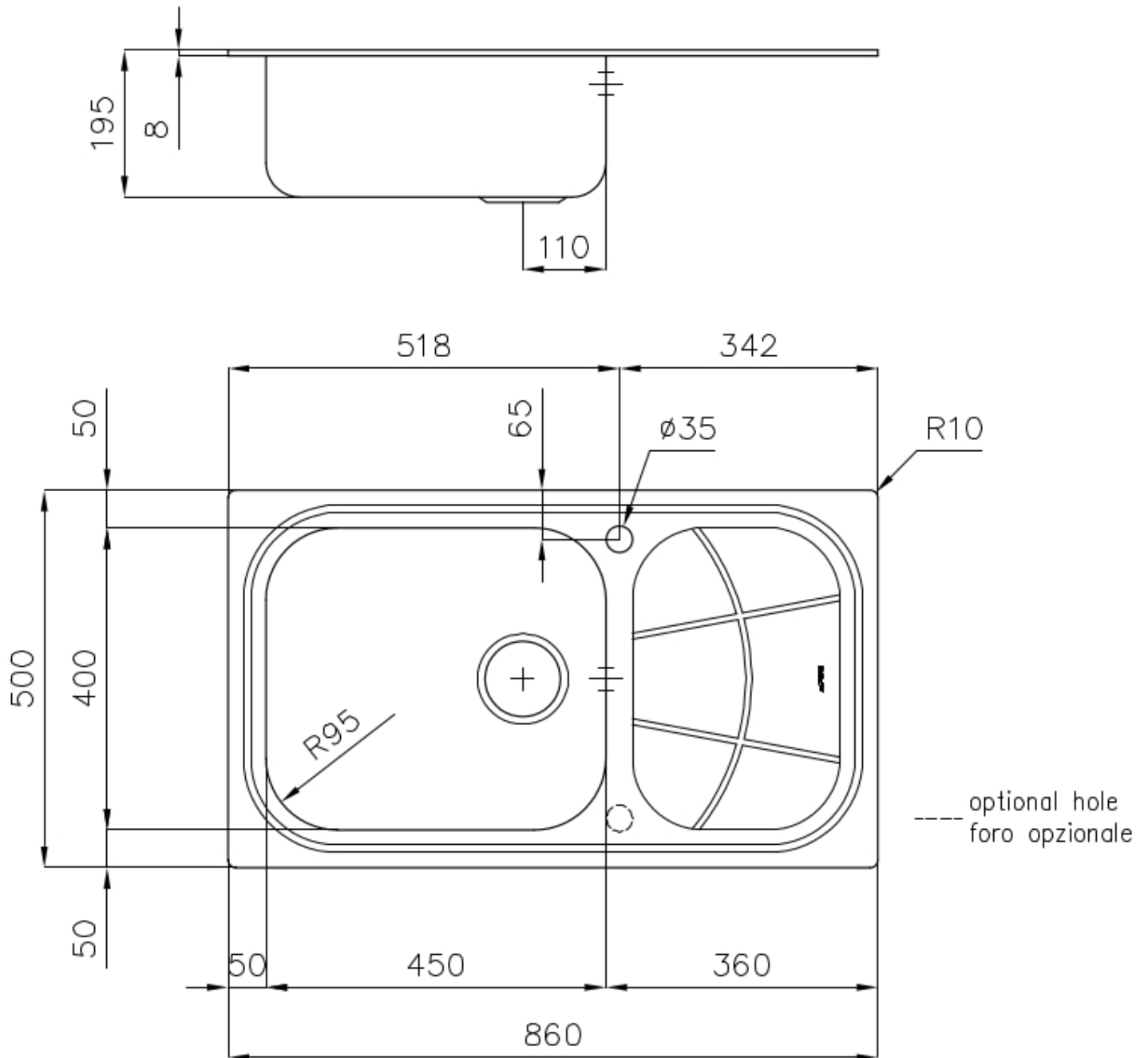
**Basket 3,5" waste fitting** The drain is equipped with a large 3.5" drain, with the practical basket cap that prevents the discharge of solid parts.

---

**Sliding brackets**

---

## TECHNICAL DATA



## OPTIONAL ACCESSORIES



**Cestello inox**  
8612 000



**Glass chopping board**  
8631 300



**HPDE Chopping board**  
8657 001



**Iroko-wood chopping board**  
8655 000

## RECOMMENDED PAIRINGS



**Mixer Tap Delta**  
8441 000

## OPTIONAL AUTOMATIC WASTE FITTINGS



**Automatic waste fitting**  
8407 100



**Automatic waste fitting**  
8407 000



**LIRA automatic waste fitting**  
8407 102



**LIRA automatic waste fitting**  
8407 103